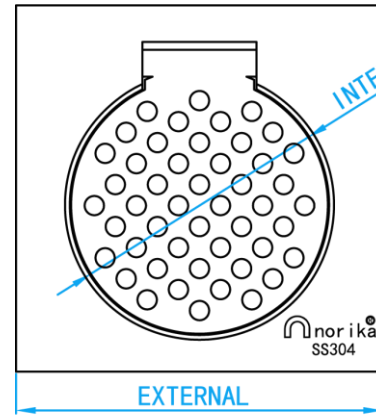


STAINLESS STEEL AISI304L & AISI316L SQUARE GRATINGS

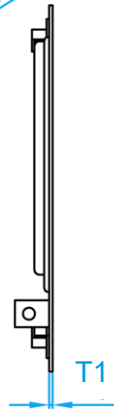
COMPLY WITH SS213:1998



NORMAL



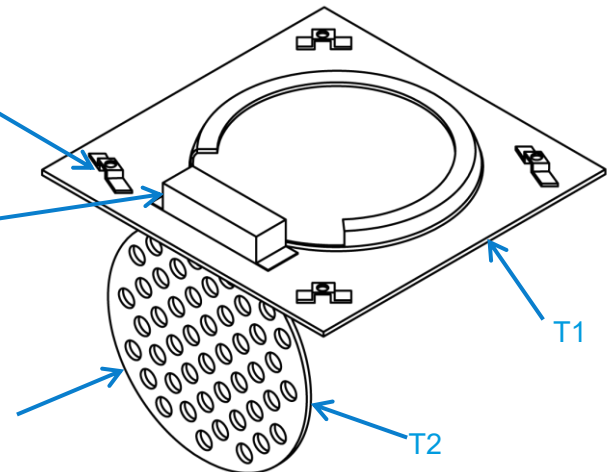
TOP VIEW



SIDE VIEW

GRIPS ARE ADDED TO HOLD ONTO THE CEMENT AND PREVENT GRATING FROM SLIPPING OFF.

ADDITIONAL COVER IS DESIGNED TO ENABLE THE LID TO BE OPENED EASILY BY PREVENTING CEMENT FROM SEEPING IN.



3D VIEW

150x150MM WITH HOLE REGULAR STYLE: 2MM THICK COVER, CAN INCREASE LOAD-BEARING AND PREVENT DEFORMATION.

DIMENSIONS

SKU	MATERIAL	SURFACE	INTERNAL OPENING(mm)	T1 × T2 (mm)	EXTERNAL (mm)	WEIGHT (kg)	PCS/CTN
SSGN100HL	AISI304L	HAIRLINE	70	1.5 × 1.5	100 × 100	0.130	100
SSGN100HLHD	AISI304L			3.0 × 3.0		0.210	100
SSGN100HL316	AISI316L			1.5 × 1.5		0.120	100
SSGN150HL	AISI304L	HAIRLINE	105	1.5 × 2.0	150 × 150	0.320	40
SSGN150HLHD	AISI304L			3.0 × 3.0		0.520	40
SSGN150HLHD316	AISI316L			3.0 × 3.0		0.520	40
SSGN150HL316	AISI316L			1.5 × 2.0		0.310	40
SSGN150	AISI304L	MIRROR		1.5 × 2.0		0.305	40